

Arcair[®]

Angle-Arc Gouging Torches



Arcair[®]

Features & Benefits

Natural 15° torch angle

- * greater operator comfort

Durable front insulators

- * high impact and heat resistant protecting the torch metal parts

360° Swivel cable

- * less cable twist
- * less strain on operator

Positive grip handle

- * greater operator feel and ease in positioning the torch

Reduced weight

- * optimum cable and torch weight to minimize fatigue

High quality cable hose

- * best quality cable hose offers high heat and abrasion resistance
- * non conductive



K4000

ANGLE-ARC[®] MANUAL GOUGING TORCHES

Model	Torch Only	Torch w/7ft. (2.1M) 360° Swivel Cable	Torch w/7ft. (2.1M) 360° Swivel Cable & Insulated Hook-Up Kit	Torch w/10ft. (3M) 360° Swivel Cable	Torch w/10ft. (3M) 360° Swivel Cable & Insulated Hook-Up Kit
K2000	01-046-001	61-046-006	61-046-002	61-046-007	61-046-003
K3000	01-065-001	61-065-006	61-065-002	61-065-007	61-065-003
K4000	01-082-002	61-082-008	61-082-006	61-082-009	61-082-007

AIR REQUIREMENTS FOR ANGLE-ARC TORCHES

Model	Electrode Size (in/mm)	PSI	KG/CM ₂	CFM	L/Min.	Application
K2000	1/8" - 1/4" Round (3.2mm - 6.4mm) 3/8" Flat (9.5mm)	40	2.8	8	227	Light Duty - Small shops, body shops, farm, light maintenance, and where air supply is limited
K3000	5/32" - 3/8" Round (4.0mm - 9.5mm) 5/8" Flat (15.9mm)	80	5.6	22	624	Medium Duty - General repair and maintenance jobs in areas as mining, construction, and all types of metal fabrication
K4000	5/32" - 1/2" Round (4.0mm - 12.7mm) 5/8" Flat (15.9mm)	80	5.6	25	708	Heavy Duty - Heavy metal removal applications such as weld preparations in pressure vessel shops and shipyards

SWIVEL CABLE OPTIONS

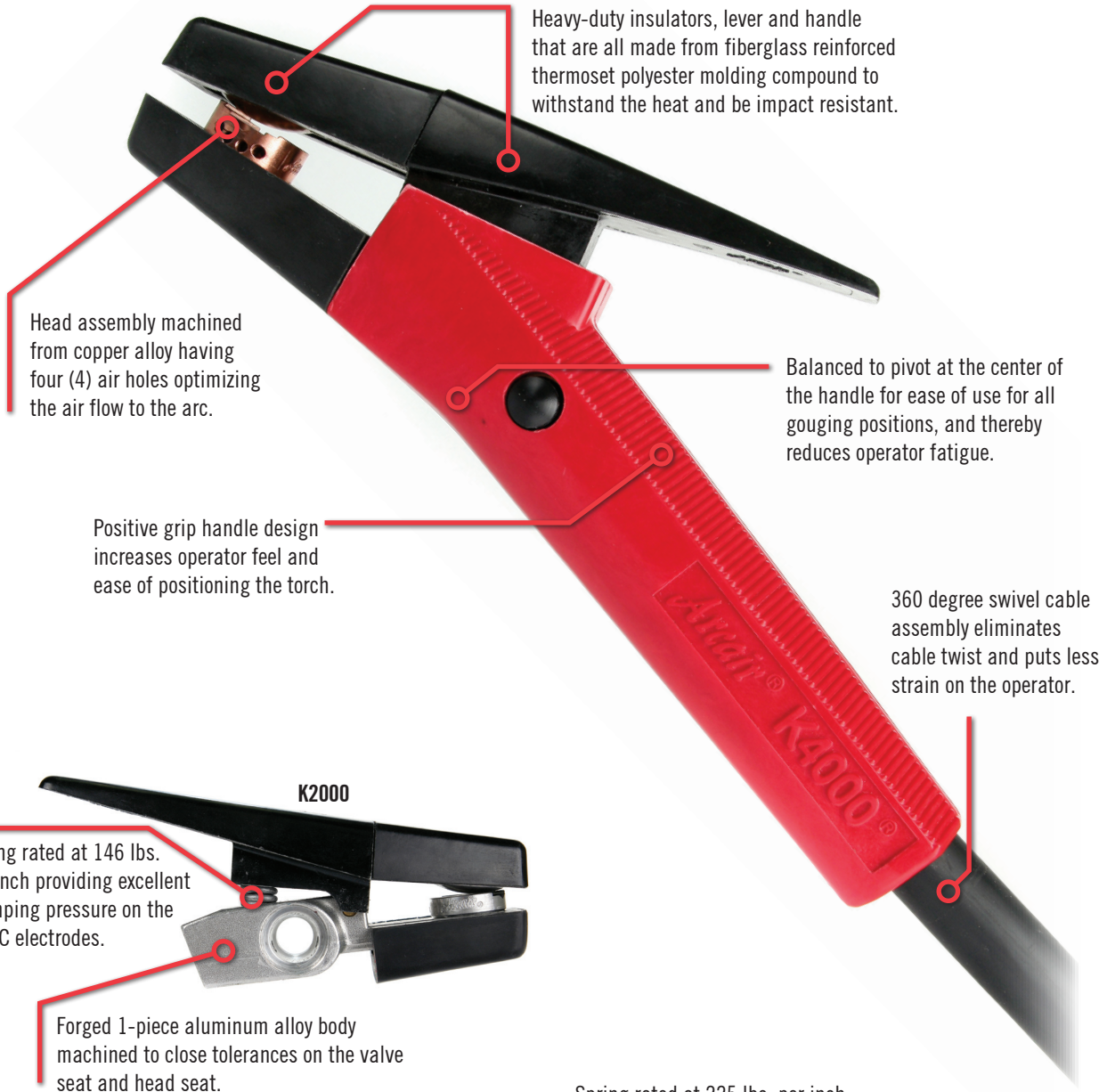
Description	K2000 K3000	K4000
7ft. (2.1M) 360° Swivel Cable	70-088-107	70-084-207
10ft. (3M) 360° Swivel Cable	70-088-110	70-084-210

K2000 & K3000 360° Swivel Cable



Angle-Arc[®] Manual Gouging Torches

Angle-Arc[®]



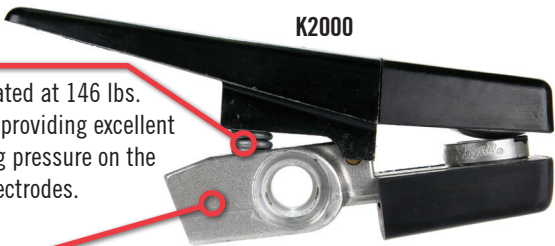
Heavy-duty insulators, lever and handle that are all made from fiberglass reinforced thermoset polyester molding compound to withstand the heat and be impact resistant.

Head assembly machined from copper alloy having four (4) air holes optimizing the air flow to the arc.

Balanced to pivot at the center of the handle for ease of use for all gouging positions, and thereby reduces operator fatigue.

Positive grip handle design increases operator feel and ease of positioning the torch.

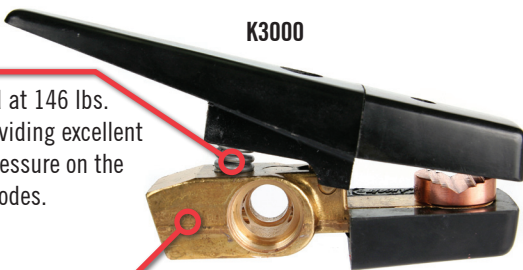
360 degree swivel cable assembly eliminates cable twist and puts less strain on the operator.



K2000

Spring rated at 146 lbs. per inch providing excellent clamping pressure on the CCDC electrodes.

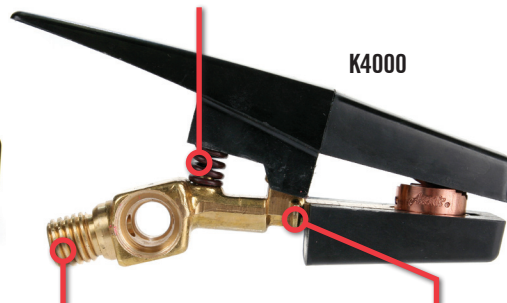
Forged 1-piece aluminum alloy body machined to close tolerances on the valve seat and head seat.



K3000

Spring rated at 146 lbs. per inch providing excellent clamping pressure on the CCDC electrodes.

Forged 1-piece brass alloy body machined to close tolerances on the valve seat and head seat.



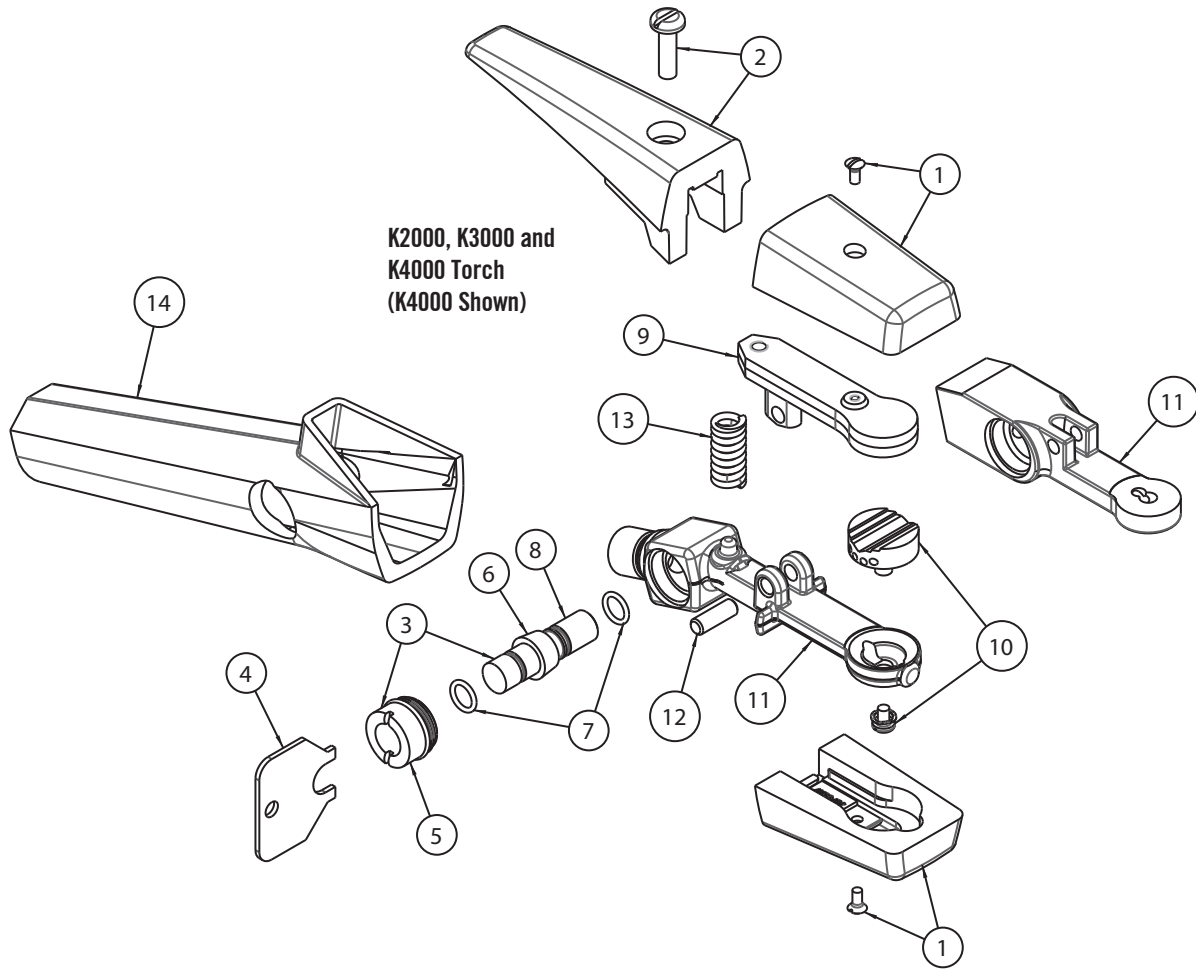
K4000

Spring rated at 225 lbs. per inch providing excellent clamping pressure on the CCDC electrodes.

Square threads are used to attach the cable assembly to the body reducing the chance of this connection seizing together when operated at high amperage range/duty cycle.

Forged 1-piece brass alloy body machined to close tolerances on the valve seat and head seat.





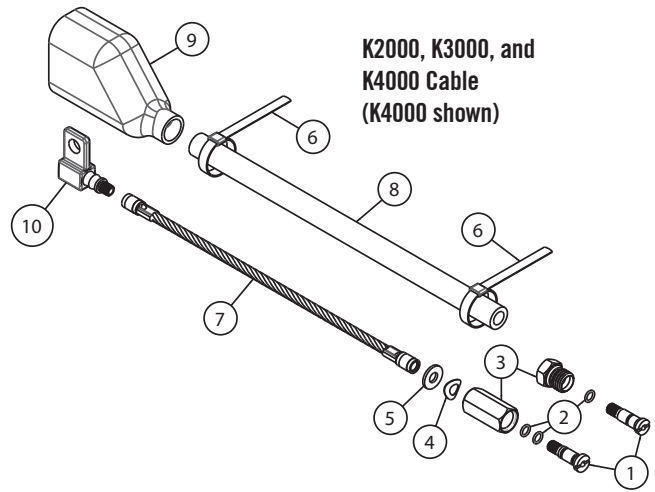
K2000, K3000 and
K4000 Torch
(K4000 Shown)

ANGLE-ARC TORCH REPLACEMENT PARTS LIST

#	K2000	K3000	K4000	Description
1	94-433-193	94-433-193	94-433-183	Insulators & Screws
2	94-476-080	94-476-080	94-476-066	Lever & Screw
3	94-104-016	94-104-016	94-104-016	Valve Bonnet
4	94-960-001	94-960-001	94-960-001	Bonnet Wrench
5	94-104-012	94-104-012	94-104-012	Bonnet Only
6	94-801-011	94-801-011	94-801-011	Spool & O-Rings
7	94-710-036	94-710-036	94-710-036	O-Ring
8	94-801-010	94-801-010	94-801-010	Spool Only
9	94-048-119	94-048-120	94-048-088	Upper Arm
10	94-378-364	94-378-366	94-378-368	Head & Screw
11	94-103-233	94-103-232	94-103-206	Torch Body
12	94-632-100	94-632-101	94-632-094	Hinge Pin
13	94-800-191	94-800-191	94-800-077	Spring
14	94-370-179	94-370-179	94-370-163	Handle

CABLE REPLACEMENT PARTS LIST

#	K2000 & K3000	K4000	Description
1	94-695-054	94-170-182 *	Retainer Screw
2	94-710-027	94-170-182 *	O-Ring
3	94-170-178	94-170-182 *	Connector
4	94-940-104	94-940-104	Spring Washer
5	94-940-103	94-940-103	Flat Washer
6	98-167-010	98-167-010	Clamp (2 Required)
7	96-130-314	96-130-263	7ft. (2.1M) Conductor
	96-130-315	96-130-261	10ft. (3M) Conductor
8	94-171-273	94-171-273	7ft. (2.1M) Cover
	94-171-274	94-171-274	10ft. (3M) Cover
9	94-105-014	94-105-014	Insulating Boot
10	94-170-150	94-170-150	Female Connector
NS	70-088-107	70-084-207	7ft. (2.1M) Swivel Cable
NS	70-088-110	70-084-210	10ft. (3M) Swivel Cable



* Includes Retainer Screw, O-Ring, and Connector

Power & Air Hook-Up Kit

Power and air connection fully enclosed

- * protects the electrical connection from touching the work when in operation
- * eliminates the need to insulate with electrical tape

Ease of connecting the torch and cable to a welding power supply

- * incorporates a Tweco Product manual twist lock connector (female)

HOOK-UP KIT PARTS LIST

#	Part Number	Description
--	94-463-045	Complete Hook-Up Kit
1	94-170-181	Male Connector
2	94-105-026	Cable Boot Cap
3	4WPC-R	4-WPC-R Connector
4	94-396-205	Pigtail Air Supply Hose

